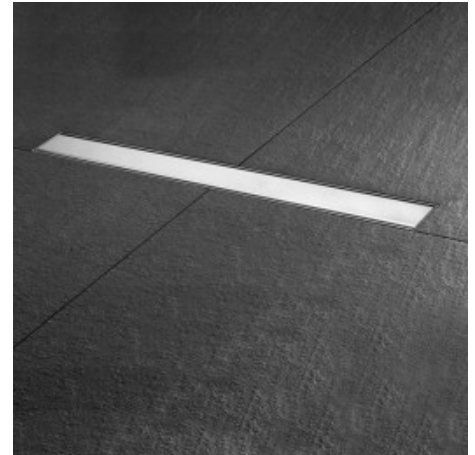


Basic Drain Zero



Grate
Build-in set

Zero
Water seal 50 mm

Easy Drain Basic Drain is perfect for every type of bathroom. Basic Drain comes standard with an easy-to-clean 50 mm water seal and offers outstanding drainage capacity, all certified according to EN 1253. This shower drain is supplied as complete product and can be placed free in the floor or mounted at the wall.

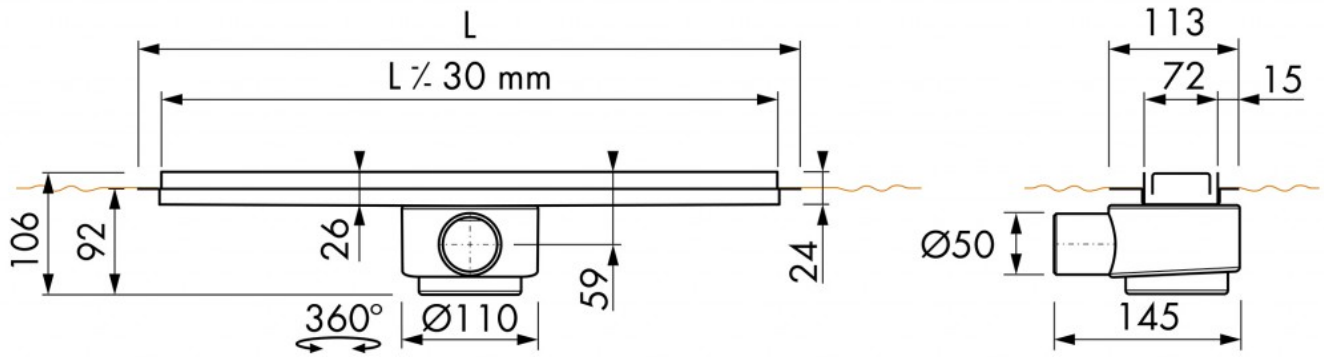
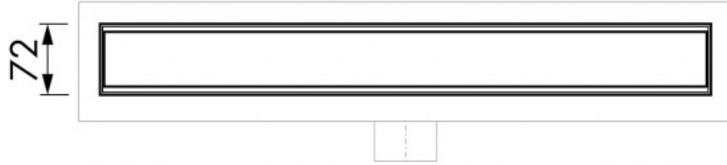
Product benefits

- Trap body - pivoted and adjustable
- Installation - floor and wall
- WPS - 100% watertight with 10 year warranty
- Supplied - Complete product unity
- Certified - EN 1253
- Drainage Syphon - removable and cleanable

Technical Information:

Model:	Linear shower drain
Characteristics:	EN 1253 certified, Sound-proof, Waterproof, Wheelchair accessible
Floor Finish:	Mosaic, Tile / Ceramic
Floor type:	Concrete / Sand cement
Grate material:	Brushed stainless steel
Height adjustable stands:	Included
Installation option:	Floor, Wall
Outlet:	Horizontal outlet
Pre-assembled sealing membrane:	Included
Siphon:	Cleanable drainage siphon
Water seal height:	50 mm
Grate width:	72 mm
Location in a shower:	Between two walls, Free in the floor, One-sided, Three-fold
Min installation depth:	106 mm
Max drainage capacity entrance:	31 l/min
Max drainage capacity backside:	36 l/min
Grate pattern:	Zero

WPS - Water Protection System



MANUFACTURER
Easy Sanitary Solutions
Nijverheidsstraat 60 | 7575 BK Oldenzaal | The Netherlands
info@esspost.com | www.easydrain.com | www.easydrain.eu

ESS PRODUCTS ARE PATENTED AND REGISTERED TRADEMARKS MADE BY ESS